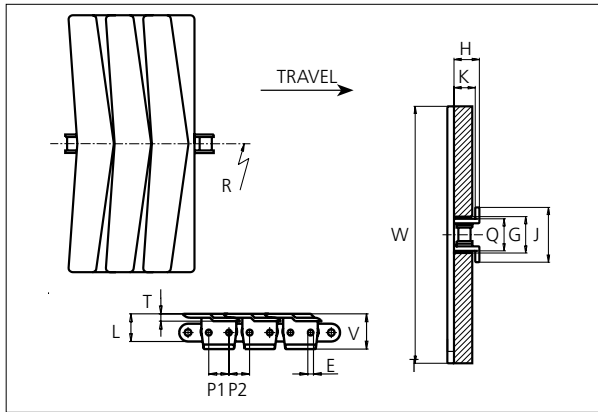


Snap-On Plastic Chain

Series **uni 3873** Type -



Snap-On Plastic Chain
 Side flexing chain
 Pitch: 19.1 mm (0.75 in)
 Backflex radius: 150.0 mm (5.90 in)
 Permissible tensile strength:
 uni 3873 with (SS304) stainless steel chain: 2000 N (450 lbf)
 uni 3873 with carbon steel chain: 4000 N (900 lbf)

Delivery:
 3.048 m (10 ft)
 No. of links/box: 160
 No. of flights/box: 80

STANDARD

| E | | G | | H | | J | | K | | L | | P1 | | P2 | | Q | | T | | V | |
|-----|------|------|------|------|------|------|------|------|------|------|------|------|------|------|------|------|------|-----|------|------|------|
| mm | in | mm | in | mm | in | mm | in | mm | in | mm | in | mm | in | mm | in | mm | in | mm | in | mm | in |
| 5.1 | 0.20 | 34.9 | 1.37 | 24.9 | 0.98 | 54.2 | 2.13 | 21.0 | 0.83 | 16.6 | 0.65 | 18.1 | 0.71 | 20.1 | 0.79 | 31.8 | 1.25 | 6.6 | 0.26 | 29.0 | 1.14 |

All dimensions are for chains in POM material.

All Snap-On versions can be delivered either with a stainless steel chain (SS304) or a carbon steel chain.

| | Width (W) | | Flight material & color | Chain material | Weight | | Min. radius R | |
|--------------|-----------|-------|----------------------------------|-------------------------------------|--------|-------|---------------|-------|
| | mm | in | | | kg/m | lb/ft | mm | in |
| K1000 | 254.0 | 10.00 | POM-D G POM-LFI BR | SS304 or Carbon steel | 3.5 | 2.35 | 356.0 | 14.02 |

Non standard material and color: See uni Material and Color Overview.

SIDE FLEXING

PITCH 19.1 MM/0.75 IN

Any questions? Please contact us.

Morskate Aandrijvingen BV
 Oosterveldsingel 47A
 7558 PJ Hengelo (Ov)
 The Netherlands

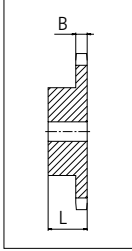
NL
 T +31 (0)74 - 760 11 11
 info@morskateaanrijvingen.nl
 www.morskateaanrijvingen.nl

DE
 T +49 692 - 222 34 95
 info@morskateantriebstechnik.de
 www.morskateantriebstechnik.de

EN
 T +31 (0)74 - 760 11 11
 info@morskatedrivetechnology.com
 www.morskatedrivetechnology.com

Sprocket

| No of teeth | Pitch diameter | | Hub diameter | | Overall width L | | Tooth width B | | Bore | | Machined S1045 |
|-------------|----------------|------|--------------|------|-----------------|------|---------------|------|------|------|----------------|
| | mm | in | mm | in | mm | in | mm | in | mm | in | |
| Z19 | 115.7 | 4.56 | 80.0 | 3.15 | 35.0 | 1.38 | 11.7 | 0.46 | 16.0 | 0.63 | x |
| Z20 | 121.8 | 4.79 | 80.0 | 3.15 | 35.0 | 1.38 | 11.7 | 0.46 | 16.0 | 0.63 | x |
| Z25 | 152.0 | 5.98 | 90.0 | 3.54 | 40.0 | 1.57 | 11.7 | 0.46 | 20.0 | 0.79 | x |



Please ensure that sufficient size shaft and keyway are chosen for corresponding load.

Non standard material and color:
See uni Material and Color Overview.

Other sprocket sizes are available upon request.
uni Retainer Rings: See uni Retainer Ring data sheet.

Any questions? Please contact us.